

PARTS CATALOGUE FOR
COMPUTERIZED SEWING MACHINE

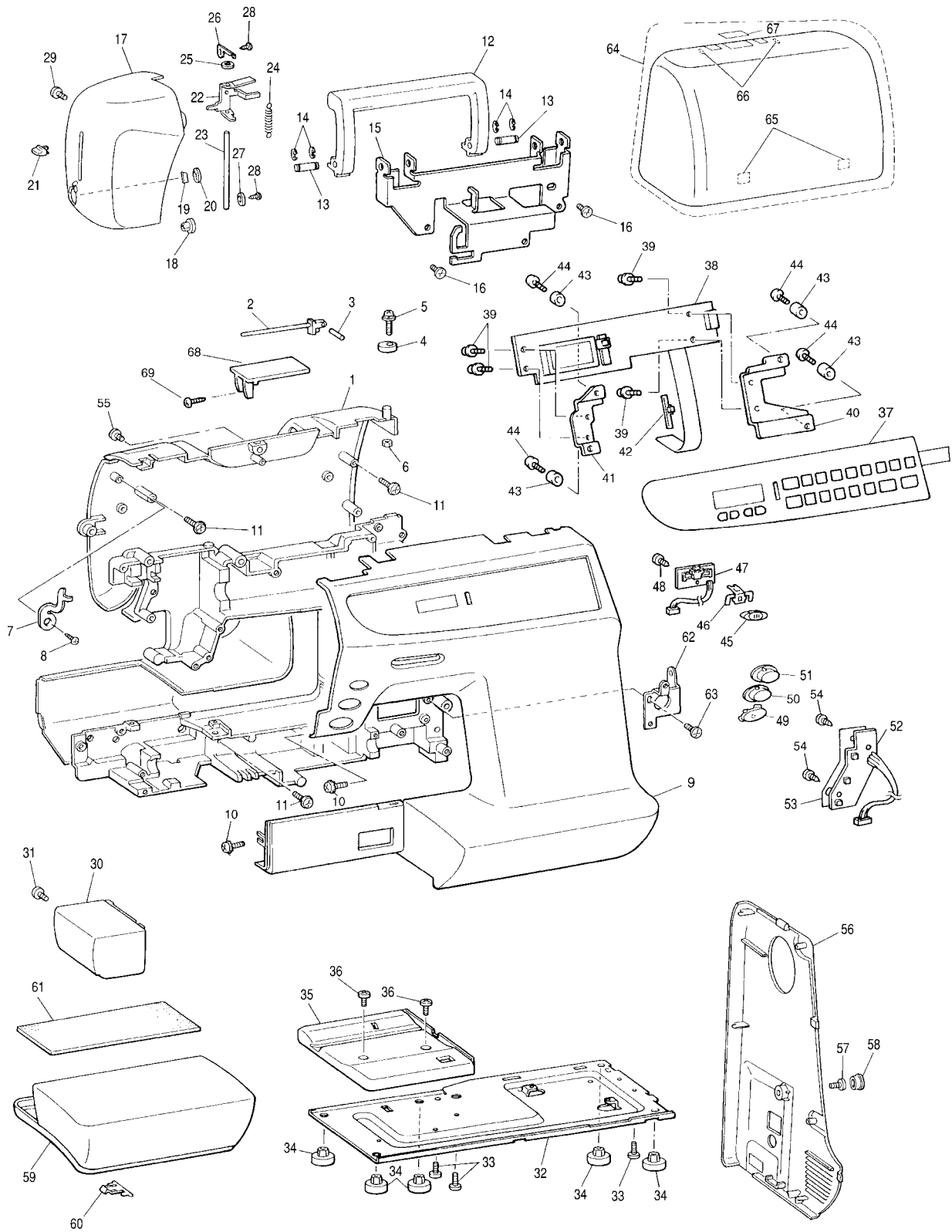
PC-3000
SUPER ACE II

CONTENTS

(1) PRINCIPAL PARTS.....	2
(2) UPPER SHAFT AND NEEDLE BAR	4
(3) FEED MECHANISM	6
(4) ROTARY HOOK AND THREAD GUIDE	8
(5) LAMP, MAIN PC BOARD ASSEMBLY AND MOTOR UNIT	10
(6) ACCESSORY	12

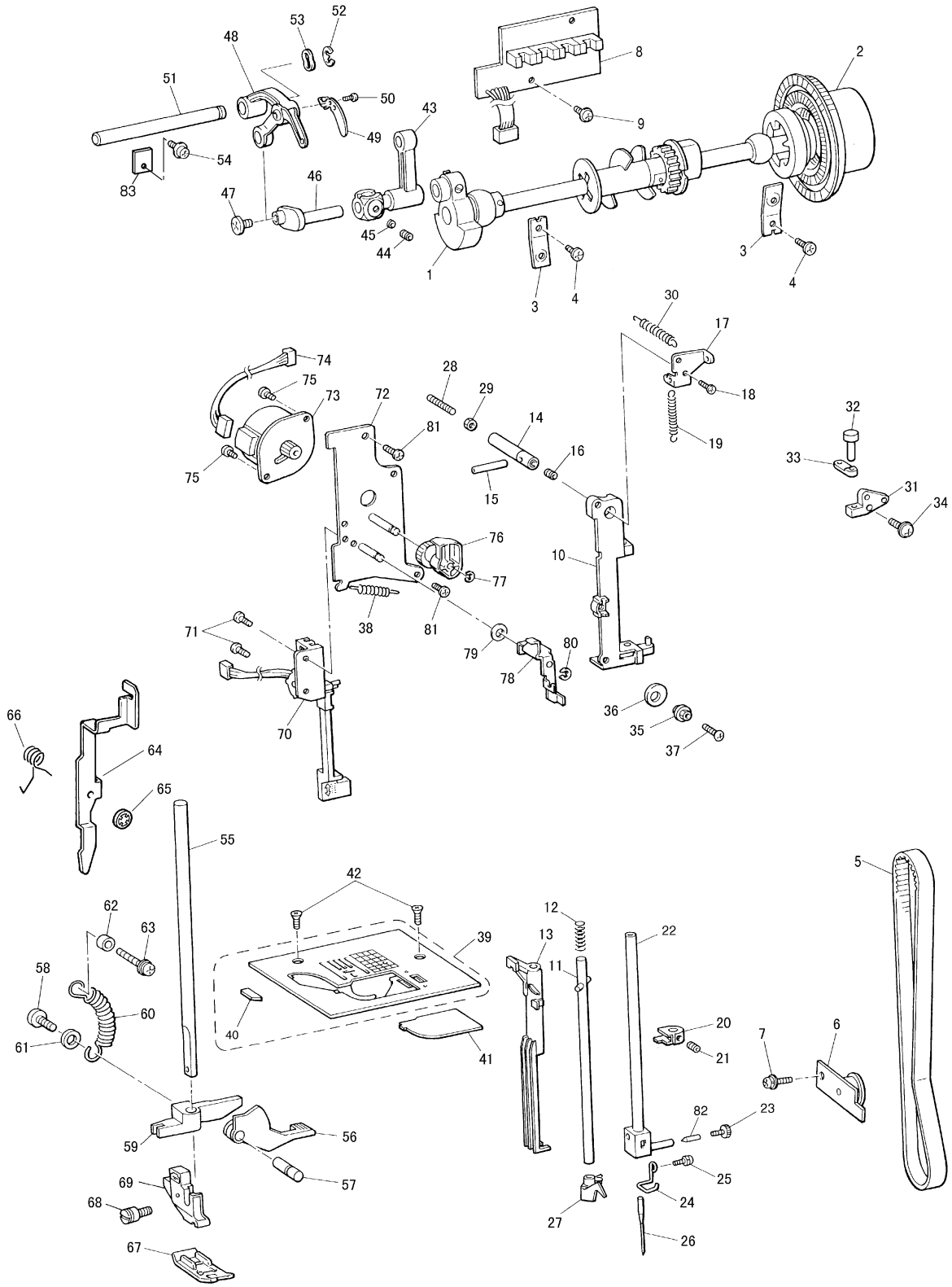
(1) PRINCIPAL PARTS

No.	CODE	NAME	REMARKS	No.	CODE	NAME	REMARKS
1	XA2880257	Rear cover for PC-3000		42	XA4338051	Contrast key	
	XA2880258	Rear cover for Super ACE II		43	XA2220050	Circuit board presser	
2	X59053051	Spool pin		44	X59629051	Taptite, Bind B M3 × 10	
3	XA4471051	Spool pin shaft 3 × 16		45	XA2903051	S key top	
4	XA4324051	Bobbin presser		46	XA2904050	SV connecting block	
5	052301606	Screw, Pan M3 × 16		47	XA4339051	VR PC board ASSY	
6	021300106	Nut, 1 M3		48	136681051	Taptite, Bind B M3 × 8	
7	XA5508051	Thread guide assist plate		49	XA4300051	SS button for PC-3000	
8	138433051	Taptite, Pan B M3 × 6			XA4321051	SS button for Super ACE II	
9	XA4330052	Front cover for PC-3000		50	XA2908051	Reverse sewing button	
	XA4330053	Front cover for Super ACE II		51	XA2909051	NP button	
10	U12017051	Screw, Pan (T washer) M3 × 6		52	XA4829051	SS PC board ASSY	
11	087411415	Taptite, Cup B M4 × 14		53	XA2901150	Insulation sheet	
12	XA2476051	Carrying handle		54	136681051	Taptite, Bind B M3 × 8	
13	XA2886051	Carrying handle shaft		55	087411415	Taptite, Cup B M4 × 14	
14	048040346	Retaining ring, E4		56	XA4302152	Belt cover	
15	XA2887251	Handle holder		57	060400616	Screw, Bind M4 × 6	
16	X57908051	Taptite, Bind S M4 × 10		58	X50442051	Screw cover	
17	XA2889052	Face plate		59	XA1816001	Accessory table ASSY	
18	X51895051	Face plate bush		60	138644051	Accessory table notched spring	
19	X80321051	NT thread cutter ASSY		61	X51434050	Sponge	
20	XA0199051	Retaining ring, CSTW-8		62	XA1820050	Set plate D	
21	XA2943051	Needle thread lever knob		63	X57908051	Taptite, Bind S M4 × 10	
22	XA1801051	Needle thread lever		64	XA2482051	Case ASSY	
23	X51469051	Needle thread lever shaft		65	125440050	Case felt	
24	138260051	Spring, Extension		66	XZ0016050	Case felt	
25	129935050	Washer		67	XA3028051	Decoration plate	
26	XA6320050	Shaft presser plate		68	XA4831051	Dial cover	
27	XA5525051	Washer		69	U12017051	Screw, Pan (T washer) M3 × 6	
28	138433051	Taptite, Pan B M3 × 6					
29	060401616	Screw, Bind M4 × 16					
30	XA1803151	Free arm cover					
31	053400806	Screw, Pan (S/P Washer) M4 × 8					
32	XA1804150	Base plate					
33	X57908051	Taptite, Bind S M4 × 10					
34	XA1805051	Rubber cushion A	CHG				
35	XA1806051	Base cover					
36	060400616	Screw, Bind M4 × 6					
37	XA4331001	Panel key board for PC-3000					
	XA4331002	Panel key board for Super ACE II					
38	XA4332001	LCD PC board ASSY					
39	052300606	Screw, Pan (S/P washer) M3 × 6					
40	XA4336050	LCD plate holder R					
41	XA4337050	LCD plate holder L					



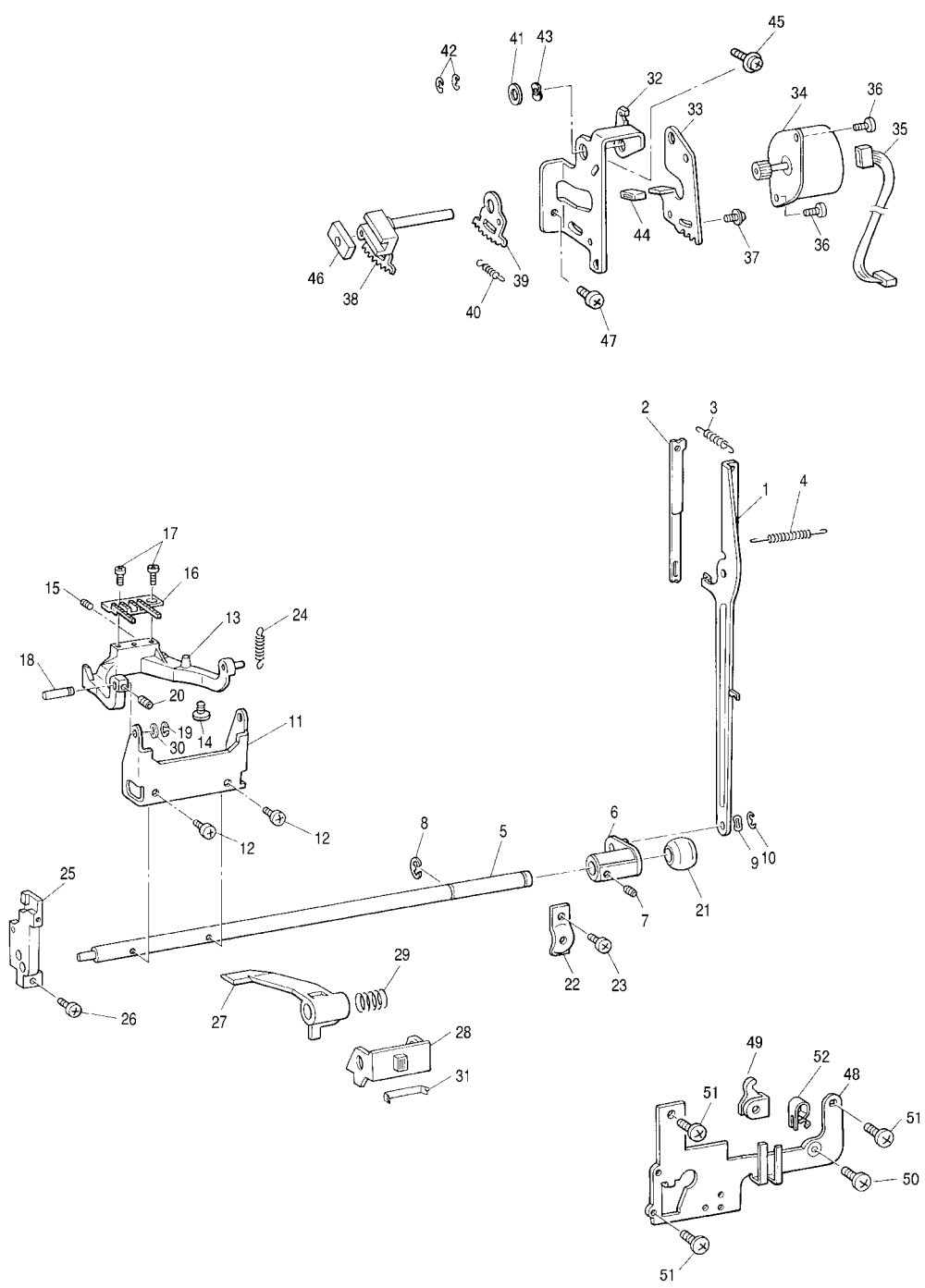
(2) UPPER SHAFT AND NEEDLE BAR

No.	CODE	NAME	REMARKS	No.	CODE	NAME	REMARKS
1	XA4385251	Upper shaft ASSY	CHG	45	100507050	Metal plate	
2	X57370051	Pulley		46	XA2389051	Needle bar crank	
3	X52478051	Presser plate A		47	132051052	Screw, Flat SM3.57L	
4	X57908051	Taptite, Bind S M4 × 10		48	XA1862051	Thread take-up lever ASSY	
5	X53125051	Timing belt 176 × L031		49	XA1864050	Thread take-up lever plate	
6	XA1830051	Tension pulley ASSY		50	XA1387051	Screw, Truss M2 × 3	
7	0A5401005	Screw, Pan (S/P Washer) M4 × 10		51	XA1865051	Thread take-up lever stud	
8	XA4922051	NP PC board ASSY		52	048050346	Retaining ring E5	
9	0A5400805	Screw, Pan (S/P Washer) M4 × 8		53	XA1866051	Washer, Wave spring	
10	XA2198051	Needle bar supporter ASSY		54	X57913051	Taptite, Bind S M4 × 16	CHG
11	XA1839051	Needle threader shaft ASSY		55	XA2509051	Presser bar	
12	129839051	Spring, Compression		56	XA5511051	Presser foot lifter	
13	XA1841001	Needle threader slider		57	XA1869050	Stud for presser foot lifter	
14	XA1842051	Needle bar supporter stud A		58	X52760051	Set screw, Pan M6 × 12	
15	X56551050	Needle bar supporter stud C		59	XA1871151	Presser bar clamp	CHG
16	014400432	Set screw, Socket (CP) M4 × 4		60	137736051	Spring	
17	XA1843150	Set plate		61	XA5524051	Washer, plain	
18	060300616	Screw, Bind M3 × 6		62	XA1875051	Spacer	
19	X57758051	Spring, Extension		63	XA0649051	Tapitite, Cup S M4 × 14	
20	X55983150	Needle threader position setter		64	XA4838151	Tension releaser C	CHG
21	012400432	Set screw, Socket (FT) M4 × 4		65	120454051	Retaining ring CS4	
22	XA1849151	Needle bar ASSY		66	XA5931051	Spring	
23	XZ0002051	Screw		67	137748101	Zigzag presser foot	
24	XA1851000	Needle bar thread guide		68	XA4813051	Screw	
25	XA1387051	Screw, Truss M2 × 3		69	129855001	Presser holder ASSY	
26	117914014	Needle HA × 130		70	XA1882051	BH switch plate ASSY	
27	XA1854001	Threader hook ASSY		71	060300816	Screw, Bind M3 × 8	
28	014401632	Set screw, Socket (CP) M4 × 16		72	XA1989151	ZPM holder ASSY	
29	X56851051	Nut		73	Z26291081	BP483523LM26ZPM	
30	XA1856051	Spring, Extension		74	XA2921051	ZPM lead wire ASSY	
31	XA1857051	Needle bar supporter stud holder		75	060300416	Screw, Bind M3 × 4	
32	X57647051	Needle bar supporter stud		76	XA1995000	Zigzag cam	
33	XA7996051	Needle bar supporter arm	CHG	77	048030346	Retaining ring E3	
34	XA0649051	Taptite, Cup S M4 × 14	*1	78	XA5515151	Zigzag lever	CHG
35	X50559050	Nut		79	X53027050	Thrust washer	
36	XA1860150	Washer	CHG	80	048030346	Retaining ring E3	
37	062301006	Screw, Pan M3 × 10		81	X57908051	Taptite, Bind S M4 × 10	
38	XA1861051	Spring, Extension		82	XA6035001	Needle clamp pin	
39	XA2916051	Needle plate ASSY		83	X50532051	Presser plate	ADD
40	X80321051	NT thread cutter ASSY					
41	X56828151	Needle plate cover			*1 :	~C0XXXXXXX (2000.MAR.PRODUCT)	
42	X50487051	Screw					
43	X52650151	Needle bar crank rod ASSY		34	052401406	Screw, Pan (S/P Washer) M4 × 14	ADD
44	014680432	Set screw, Socket (CP) SM4.37				D0XXXXXXX ~ (2000.APR.PRODUCT)	



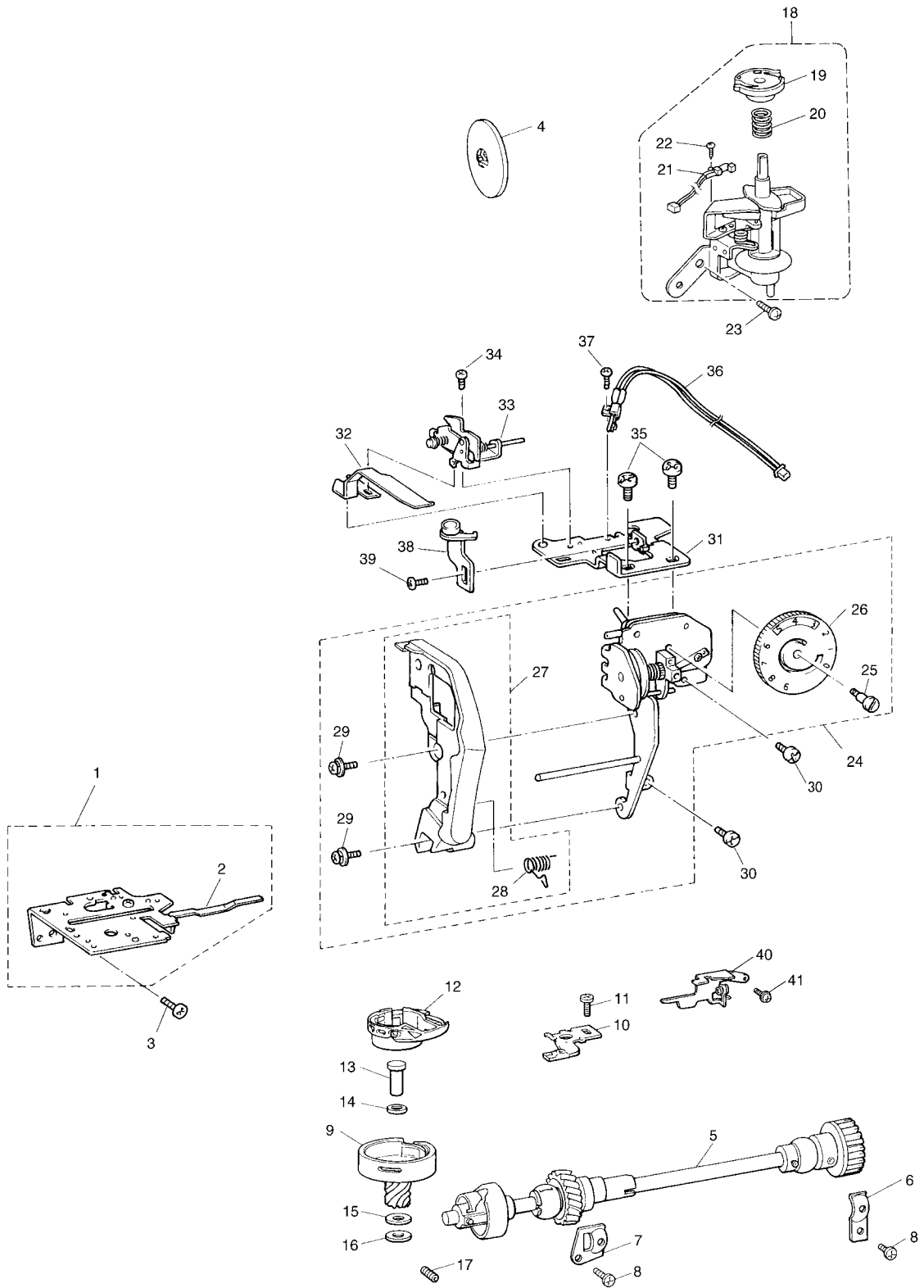
(3) FEED MECHANISM

No.	CODE	NAME	REMARKS	No.	CODE	NAME	REMARKS
1	XA1895051	Feed rod ASSY		45	XA0649051	Taptite, Cup S M4 × 14	
2	XA2185050	Feed rod supporting plate		46	XA1927051	Feed regulator slide block	
3	XA1898001	Spring, Extension F		47	X57908051	Taptite, Bind S M4 × 10	
4	XA1899001	Spring, Extension S		48	XA2942051	SPM holder	
5	XA1901250	Horizontal feed shaft	CHG	49	XA4376051	Horizontal feed shaft fixed plate	
6	XA1902051	Horizontal feed arm ASSY		50	060300416	Screw, Bind M3 × 4	
7	014500532	Set screw, Socket (CP) M5 × 5		51	X57908051	Taptite, Bind S M4 × 10	
8	048060346	Retaining ring E6		52	XA1935051	Spring, Plate	
9	X59915051	Washer, Wave spring					
10	048050346	Retaining ring E5					
11	XA1905051	Horizontal feed plate					
12	060400816	Screw, Bind M4 × 8					
13	XA1907051	Feed stand					
14	X59916051	Screw	CHG				
15	012400432	Set screw, Socket (FT) M4 × 4					
16	XA4980051	Feed dog					
17	060300516	Screw, Bind M3 × 5					
18	XA1910051	Feed bar shaft					
19	048025346	Retaining ring E2.5					
20	014400432	Set screw, Socket (CT) M4 × 4					
21	X52664050	Horizontal feed shaft bushing					
22	132421051	Bushing presser					
23	X57908051	Taptite, Bind S M4 × 10					
24	XA1911051	Spring, Extension					
25	XA1912050	Horizontal-feed shaft supporter					
26	052401406	Screw, Pan (S/P Washer) M4 × 14					
27	XA2526051	Drop plate					
28	XA1914051	Drop knob					
29	XA2199051	Spring, Compression					
30	137977050	Washer					
31	XA2200050	Spring, Plate					
32	XA1916050	FPM holder A					
33	XA1917050	FPM holder B					
34	Z26303081	BP483523LM28FPM					
35	XA2046051	FPM lead wire ASSY					
36	060300416	Screw, Bind M3 × 4					
37	0A4400806	Screw, Pan (S/P Washer) M4 × 8					
38	XZ0017051	Feed regulator ASSY					
39	XA1922151	F gear					
40	XA2972051	Spring, Extension					
41	X53330050	Washer					
42	048050346	Retaining ring E5					
43	X59915051	Washer, Wave spring					
44	XA2189050	Rubber					



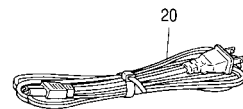
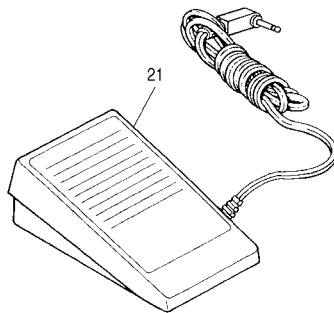
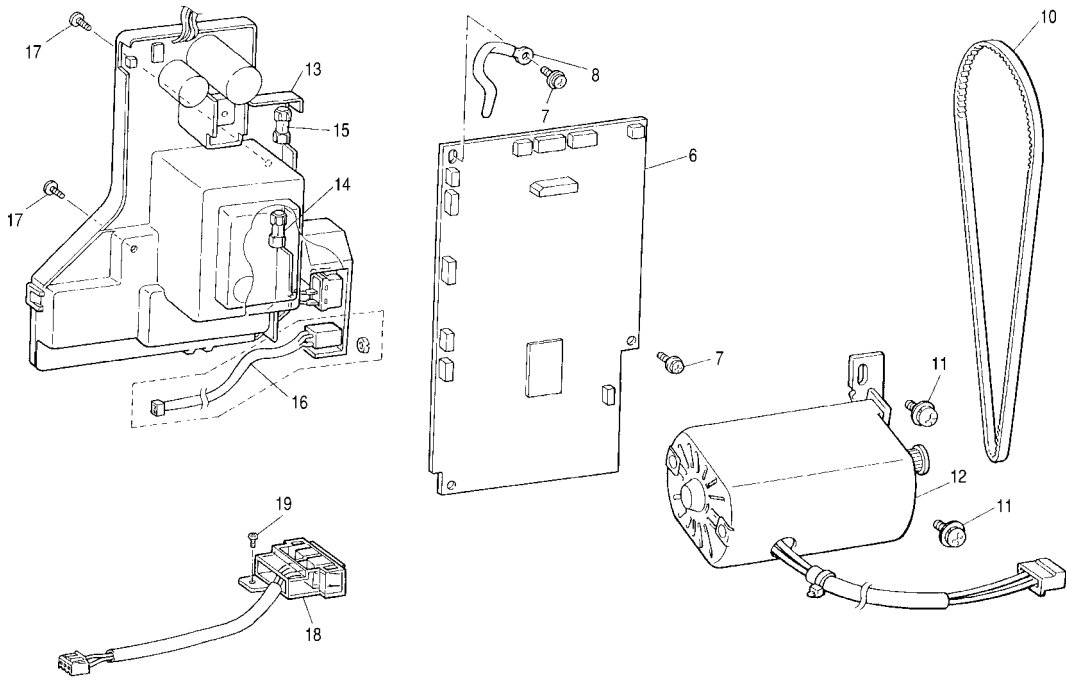
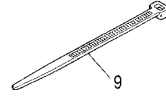
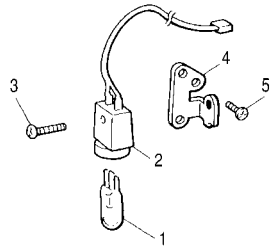
(4) ROTARY HOOK AND THREAD GUIDE

No.	CODE	NAME	REMARKS
1	XA4828051	Lower thread guide ASSY	
2	XA5558151	Lower thread guide arm ASSY	
3	060400816	Screw, Bind M4 × 8	
4	X55260052	Spool cap (Medium)	
5	XA5474051	Lower shaft ASSY	
6	132421051	Bushing presser R	
7	XA1975051	Bushing presser L	
8	X57908051	Taptite, Bind S M4 × 10	
9	XA2855151	Outer rotaty hook ASSY	
10	XA1976001	Inner rotaty hook bracket ASSY	
11	060400816	Screw, Bind M4 × 8	
12	XA3353251	Inner rotaty hook ASSY	CHG
13	XA0360051	Outer rotary hook shaft	
14	XA2190050	Washer U	
15	XA2190050	Washer U	CHG
16	XA0362051	Washer	
17	014400632	Set screw, Socket (CP) M4 × 6	
18	XA4311151	Bobbin winder ASSY	CHG
19	XA2951051	Bobbin base ASSY	
20	XA2696051	Spring, Compression	
21	XA8490051	Bobbin winder switch ASSY	CHG
22	062260516	Screw, Pan M2.6 × 5	
23	X57908051	Taptite, Bind SM4 × 10	
24	XA4841051	Thread guard ASSY	
25	X59984051	Tension dial shaft	
26	X59985154	Tension dial	
27	XA5455051	Thread guard cover ASSY	
28	XA2022001	Spring	
29	052300606	Screw, Pan (S/P Washer) M3 × 6	
30	X57908051	Taptite, Bind S M4 × 10	
31	XA5473051	Thread guard holder ASSY	
32	XA4850050	Thread guard plate	
33	XA4851051	Thread tension ASSY	
34	060300616	Screw, Bind M3 × 6	
35	060400416	Screw, Bind M4 × 4	
36	X57715051	PF Switch ASSY	
37	062260516	Screw, Pan M2.6 × 5	
38	XA4839051	Bobbin winder thread guide ASSY	
39	060300416	Screw, Bind M3 × 4	
40	XA2935051	Thread guide plate	
41	060300616	Screw, Bind M3 × 6	



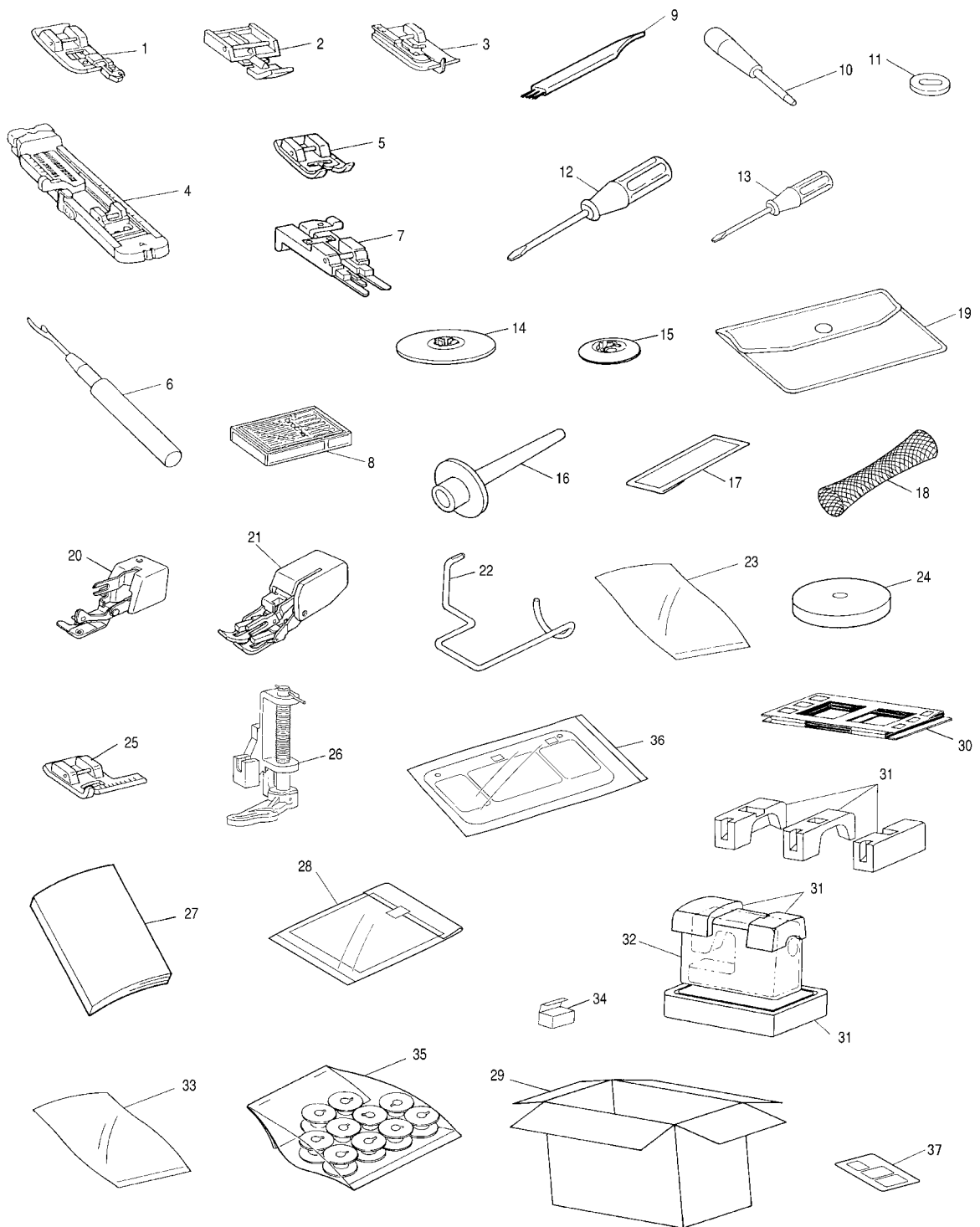
(5) LAMP, MAIN PC BOARD ASSEMBLY AND MOTOR UNIT

No.	CODE	NAME	REMARKS
1	XA2037051	WB sew-light bulb	
2	XA2038051	WBL socket ASSY	
3	002261205	Screw, Pan M2.6 × 12	
4	XA2040051	Lamp holder	
5	060300416	Screw, Bind M3 × 4	
6	XA4855001	Main PC board ASSY	
7	052300606	Screw, Pan (S/P Washer) M3 × 6	
8	137947001	Coating clip CS-1	
9	X53169050	Band	
10	XA1826051	Timing belt B173 XXL6.4	
11	537235051	Screw, Pan (S/P Washer) M5 × 12	
12	XA3332151	MM-512-21 motor unit for 120V	CHG
	XA3356151	MM-512-51 motor unit for 230V	CHG
	XA6326151	MM-512-53 motor unit for 220V(Korea)	ADD
13	X80938101	Power supply unit ASSY for 120V	CHG
	X80939101	Power supply unit ASSY for 230V	CHG
14	XA4871051	G fuse 3.15AA for 120V	
	XA1463051	G fuse 2AB for 230V	
15	XA4872051	G fuse 3.15AB for 120V	
	XA0233051	G fuse 5AB for 230V	
16	X81043001	Pin jack ASSY for 120V	
	X81046001	Pin jack ASSY for 230V	
17	XA1653051	Screw, Pan (S/P Washer) M4 × 26	
18	XA5404151	Inlet ASSY for 120V	
	XA5410151	Inlet ASSY for 230V	
19	060400616	Screw, Bind M4 × 6	
20	XA2815051	Power supply cord for UL, CSA	
	XA0070051	Power supply cord for Europe	
	X59328051	Power supply cord for Australia	
	X59354051	Power supply cord for UK	
	XA5820051	Power supply cord for CHN	
21	XA3931051	Foot controller	



(6) ACCESSORY

No.	CODE	NAME	REMARKS	No.	CODE	NAME	REMARKS
1	X51162001	Overcasting foot "G"		37	XA5933051	Panel keyboard seal (for Canada)	
2	X59370051	Zipper foot "I"					
3	X56409001	Blind stitch foot "R"					
4	X57789101	Buttonhole foot "A"					
5	137988101	Monogramming foot "N"					
6	X54243001	Seam ripper					
7	130489001	Button fitting foot "M"					
8	X58358001	Needle set					
9	X59476051	Cleaning brush					
10	135793001	Eyelet punch					
11	XA2005051	Disc-shaped screwdriver					
12	X55467051	Screwdriver (Large)					
13	X55468051	Screwdriver (Small)					
14	130012053	Spool cap (Large)					
15	130013053	Spool cap (Small)					
16	XA3336051	Extra spool pin					
17	X59296001	Twin needle set					
18	XA5523050	Net					
19	XA1363051	Accessory bag					
20	X81028001	Side cutter					
21	X81065001	Walking foot					
22	XA3412001	Finger guard					
23	XA0188050	Bag, 240 × 355H					
24	X57045051	Spool felt					
25	X51804001	Stitch guide foot "P"					
26	XA4322001	Quilting foot					
27	194955011	Instruction manual (English)					
	194955012	Instruction manual (French)					
	194955013	Instruction manual (Dutch)					
	194955014	Instruction manual (German)					
	194955015	Instruction manual (Spanish)					
	194955016	Instruction manual (Italian)					
28	XA5906051	Pattern sticker ASSY					
29	X61132051	Carton for PC-3000					
	X61169051	Carton for PC-3000 (for New Zealand)					
	X61133051	Carton for Europe					
30	X61138050	Pad					
31	X61161050	955 SF ASSY					
32	X60439150	Bag, 630 × 630					
33	160670050	Bag, 150 × 350					
34	X61014050	Carton, Accessory					
35	XA3811051	Bobbin (10 set), UPC					
	XA3812051	Bobbin (10 set), EAN					
36	XA5905051	Pattern sheet ASSY					



PC-3000
SUPER ACE II
T8050111